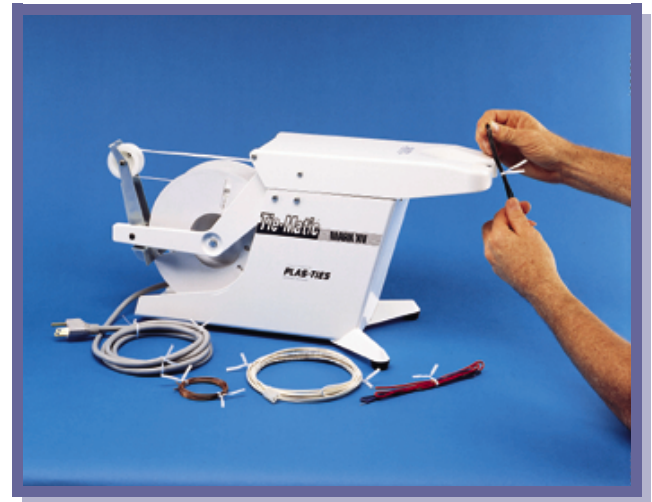
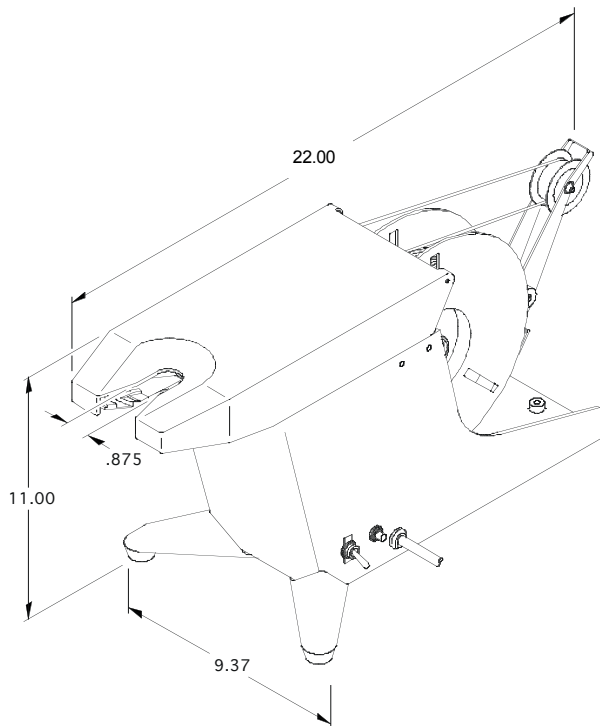


Tie-Matic **608 Mark XV**

Specifications

	608
Capacity	7/8"
Tie Length	5" tie
# of Twists	2.5" Full twists
Speed	Up to 45 ties/min.
Spool Size	8.5" X 2" wide
Power	120 VAC, 60 HZ 4.1 AMPS 220V Option
Weight	19 lbs.
Length	22"
Height	11"
Width at top	5.5"
Width at front feet	9.37"



Applications

- Wire Harnesses
- Cable Assemblies, Cord Sets, Coils, etc
- Computer Connectors
- Plastic & Paper Products
- Speedometer Cable
- Uniform Hangers

Features

- Made in USA
- 45 Ties per minute
- 2 1/2 Twists
- Durable, all metal frame
- Production Counter
- UL listed / CE Certified
- 110V or 220V motors

Benefits

- Increased production
- 5 Times faster than hand tying
- Labor Saving
- Sealed in Freshness
- Reduces Carpal Tunnel Syndrome
- Secure Tie
- User Friendly
- Portable
- Reclosable ties