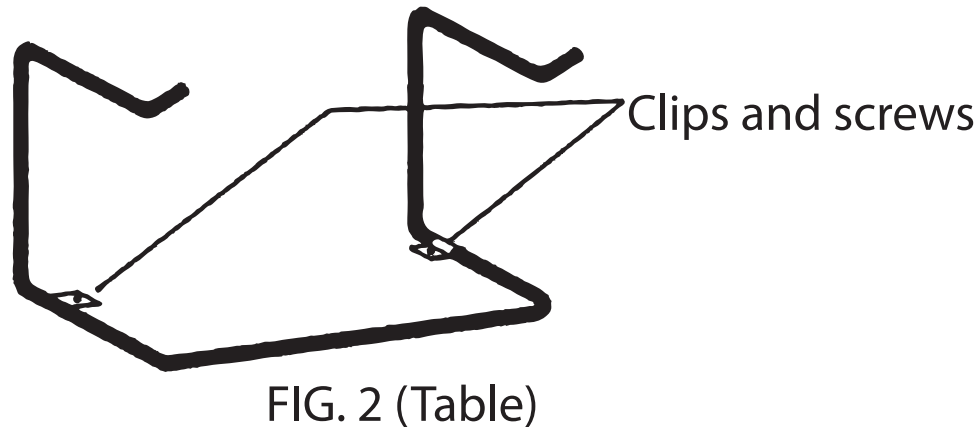
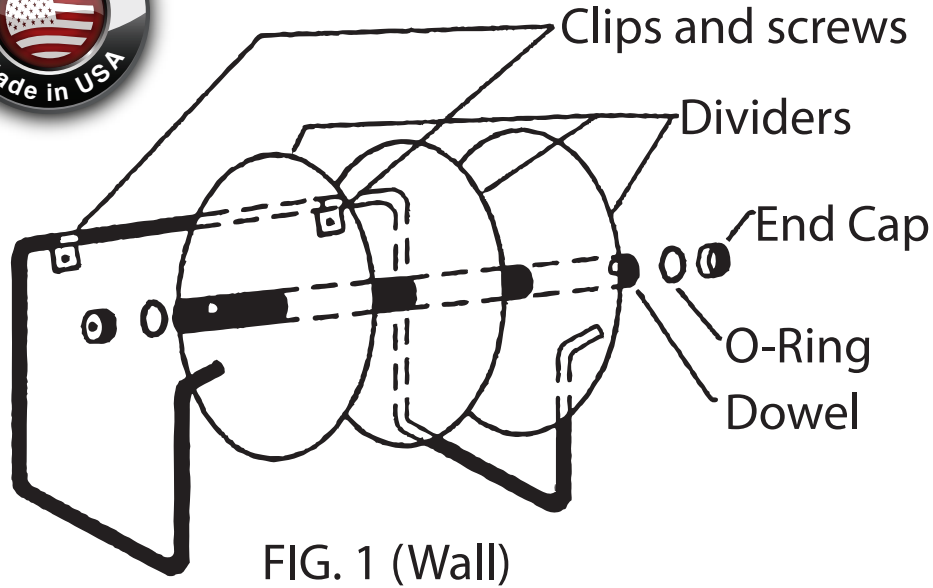




POLY TUBING DIVIDER KIT INSTRUCTIONS

Kit includes

- 1 - 1" Dowel
- 2 - End Caps
- 3 - Fiberboard Dividers
- 3 - O-Rings
- 4 - Clips
- 4 - Screws



Unit can be used on a table top or mounted to a wall. When mounting, use clips and screws provided and locate as per figures 1 and 2.

Once unit is securely mounted remove end caps from dowel, slide on 1st O-ring, 1st divider, 1st roll of poly, 2nd divider, then 2nd O-ring. Place end caps back on the dowel and place dowel back on the rack and your tubing dispenser is now complete.

Note-

Please use appropriate fastening hardware for the wall material you are mounting to.