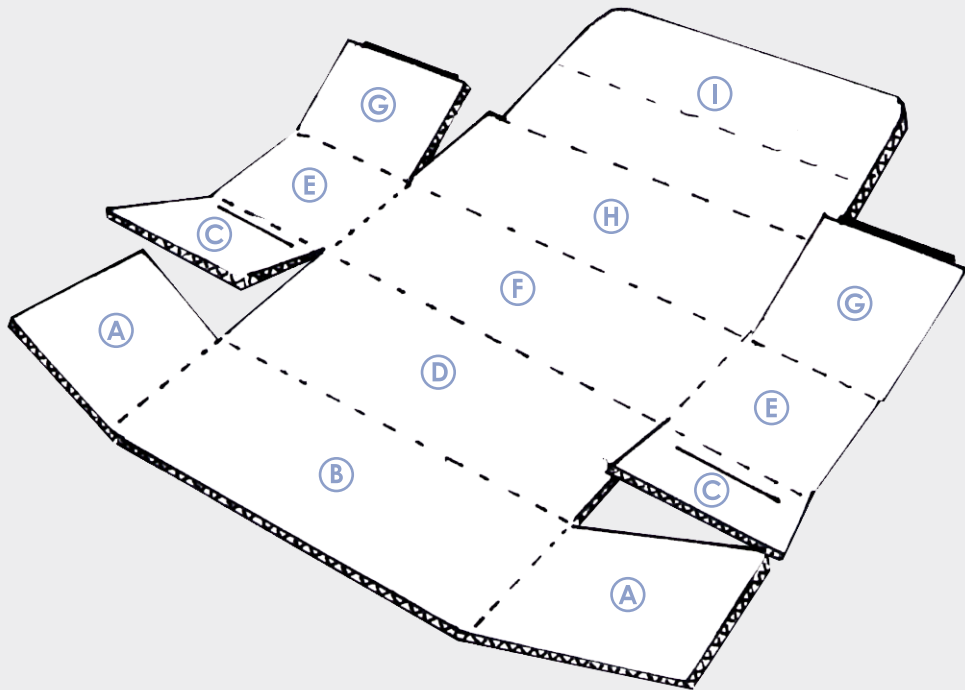


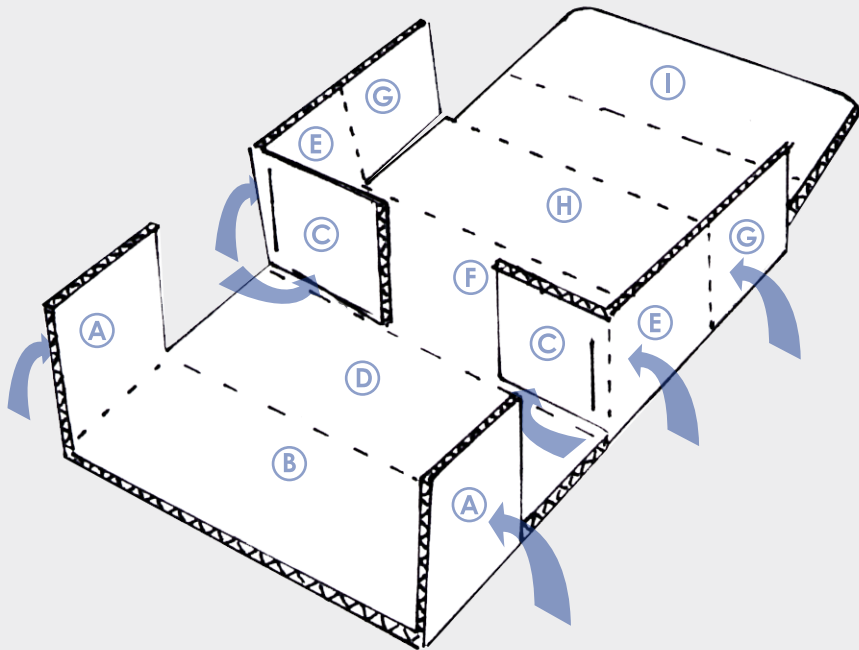
STEP #1

- Lay the box out flat in front of you
- Separate appropriate perforations (ie - (A) from (C))



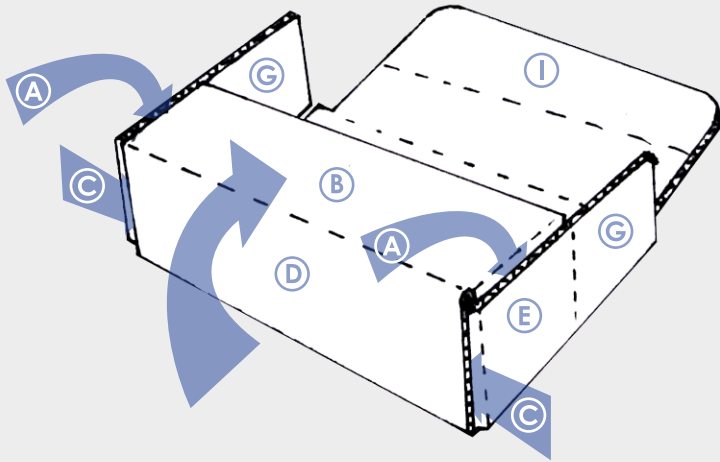
STEP #2

- Fold both (A)s, (C)s, (E)s & (G)s up
- Fold both (C)s in



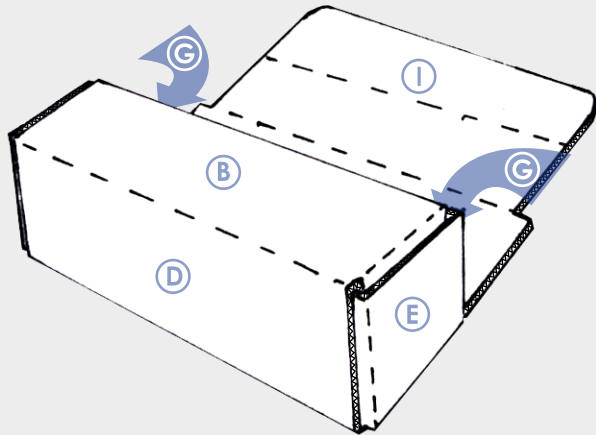
STEP #3

- Fold (D), (B) & both (A)s up and over
- Tuck both (A)s in behind both (E)s
- Both (C)s should now be behind (D)



STEP #4

- Fold both **G** s inside
- Both **G** s should now be behind both **E** s



STEP #5

- Turn the entire box until **(D)** is on the bottom
- Fold **(I)** down into the box to close it
- **(I)** should now be behind **(B)**
- You are now finished

